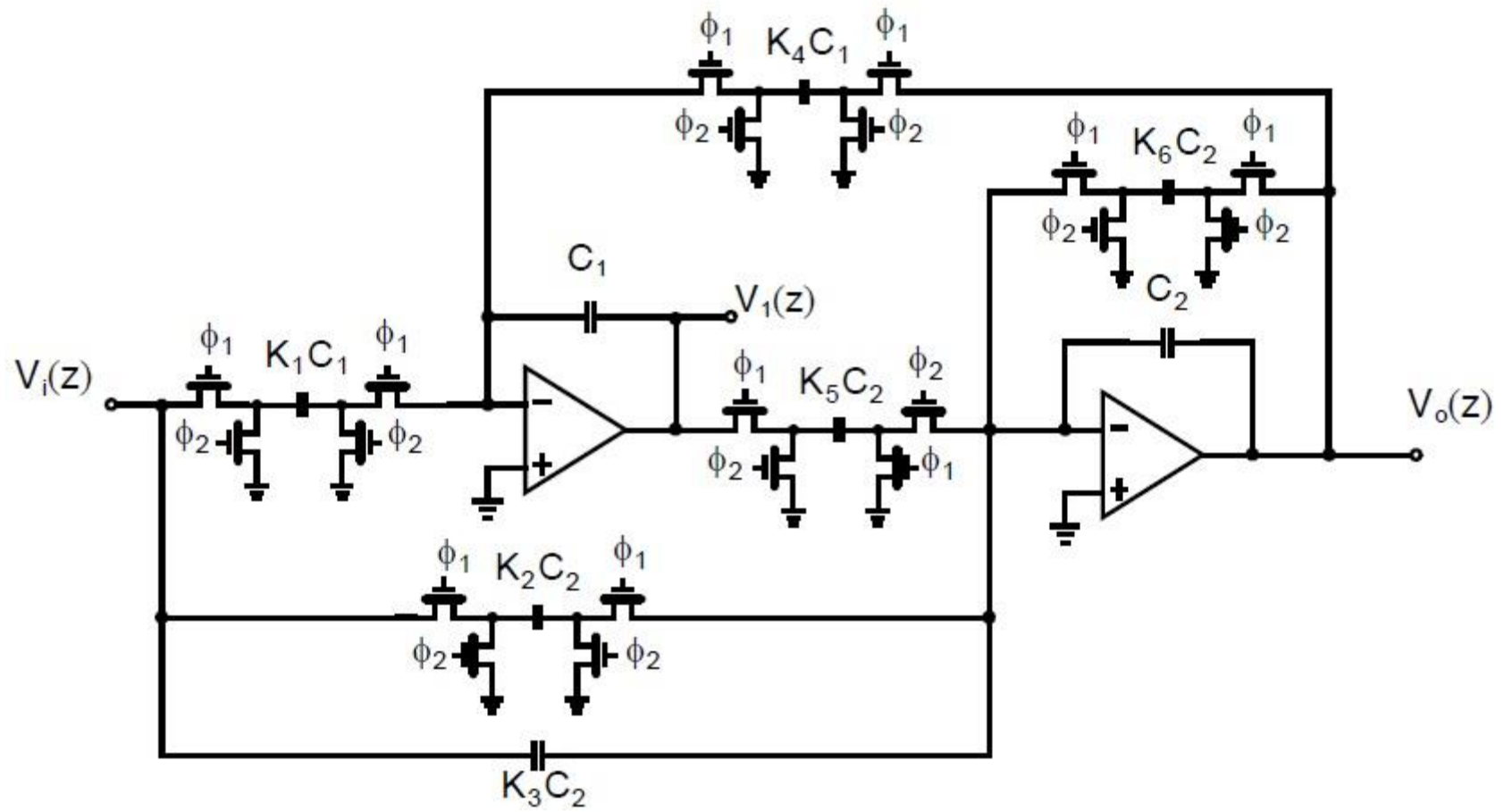
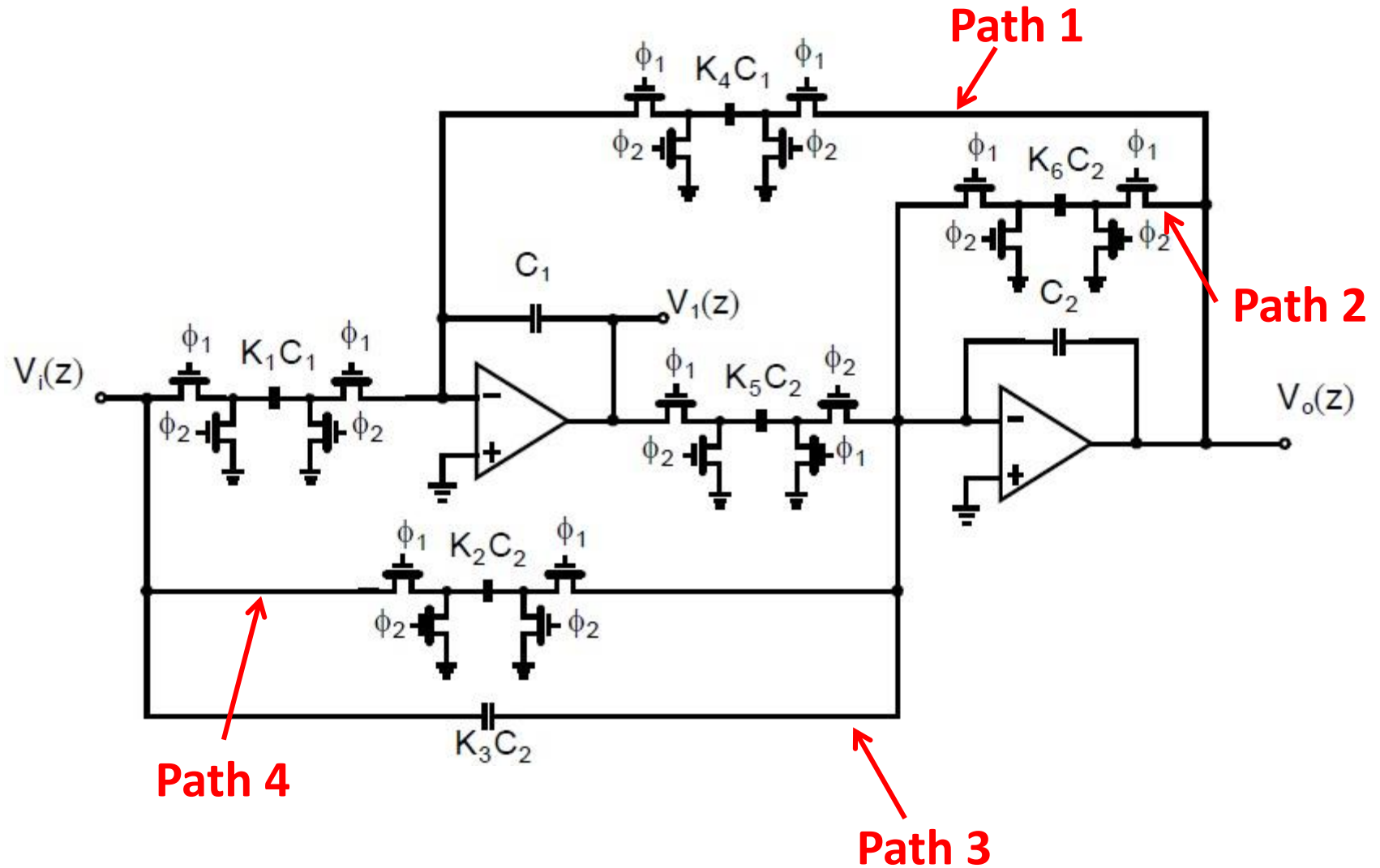


# How to determine the correct directions in signal flow graph

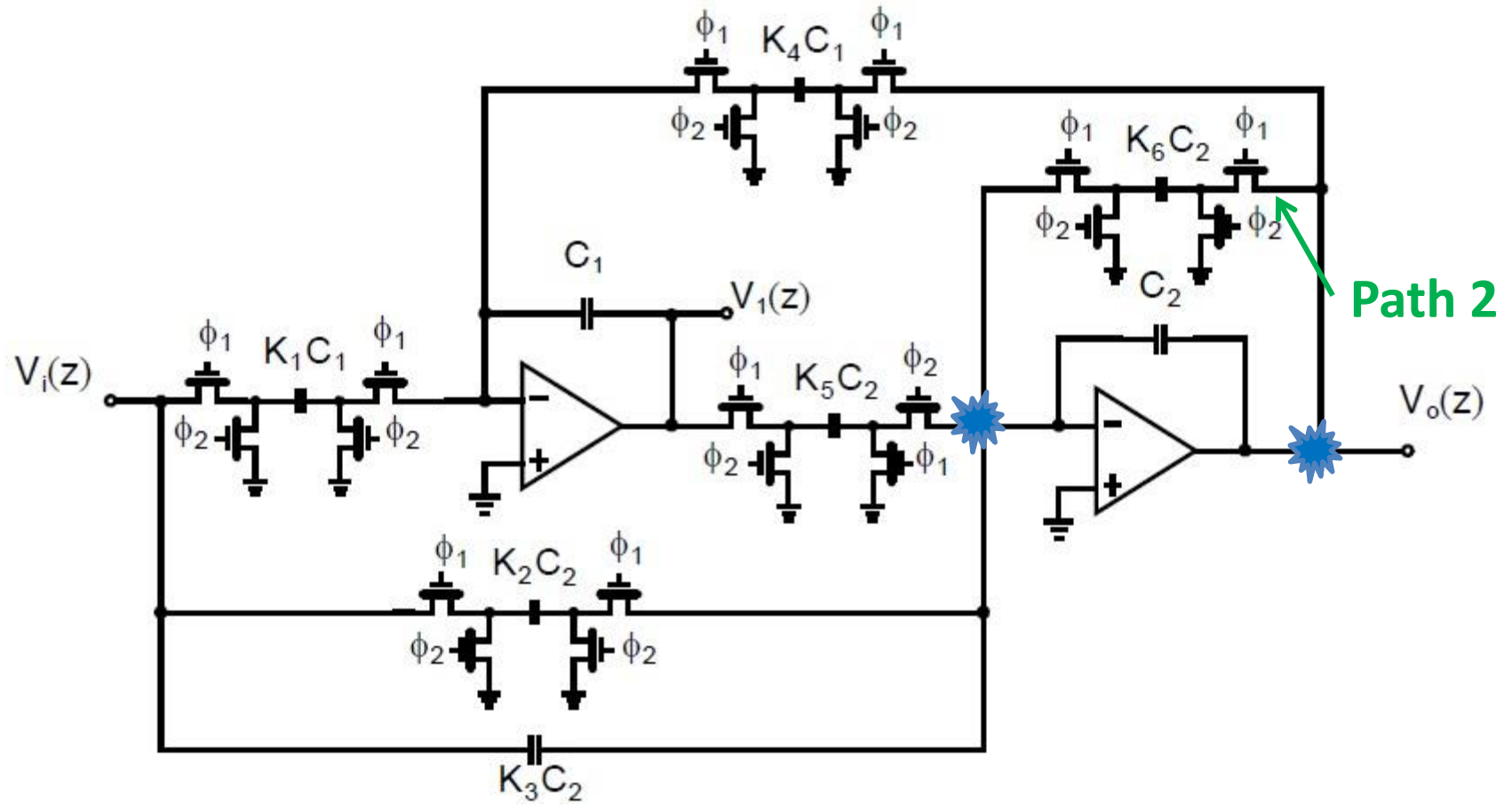


# Determine the feedback paths

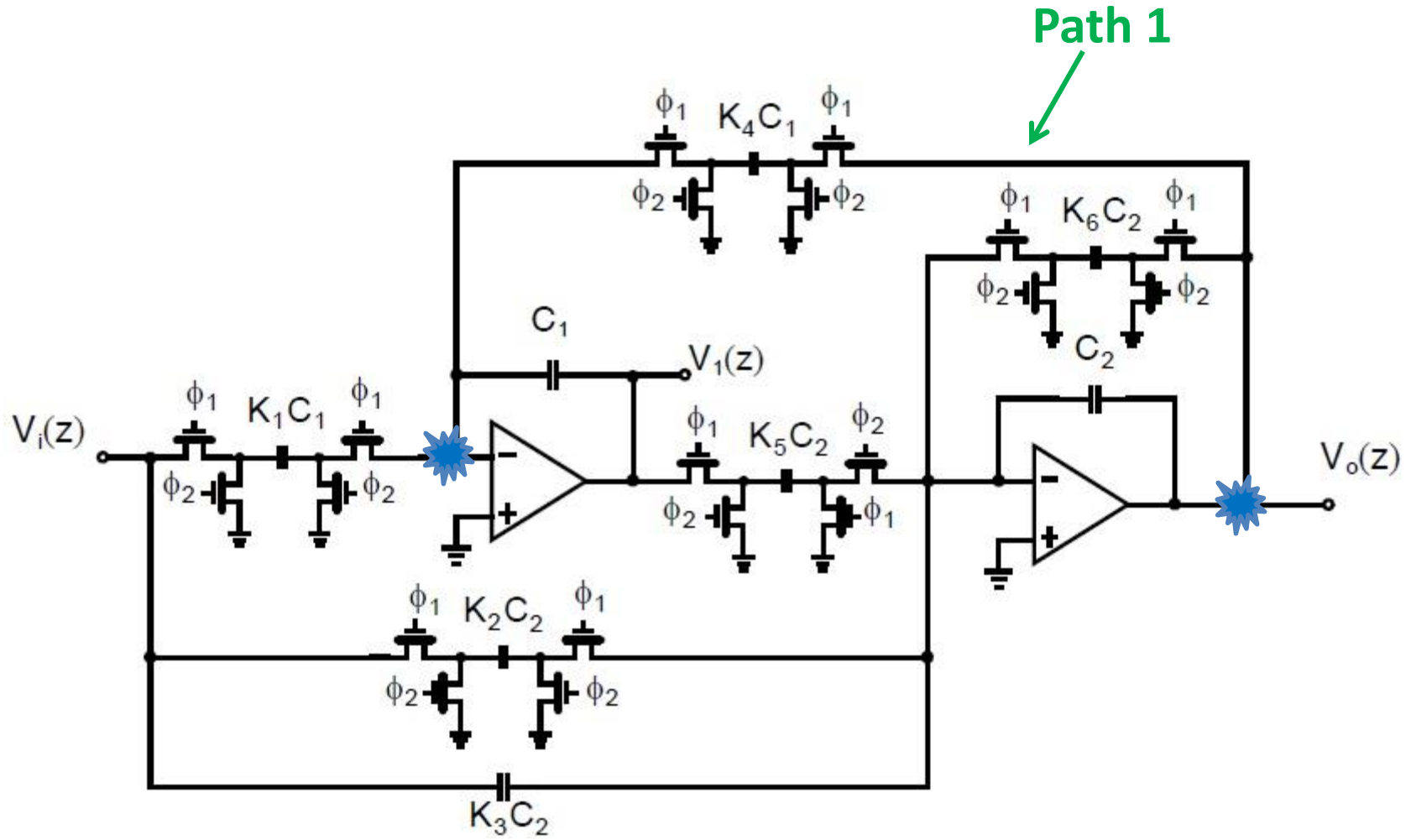


**Feedback path connects  
the output of op-amp to its input  
or input of other op-amp **directly** !**

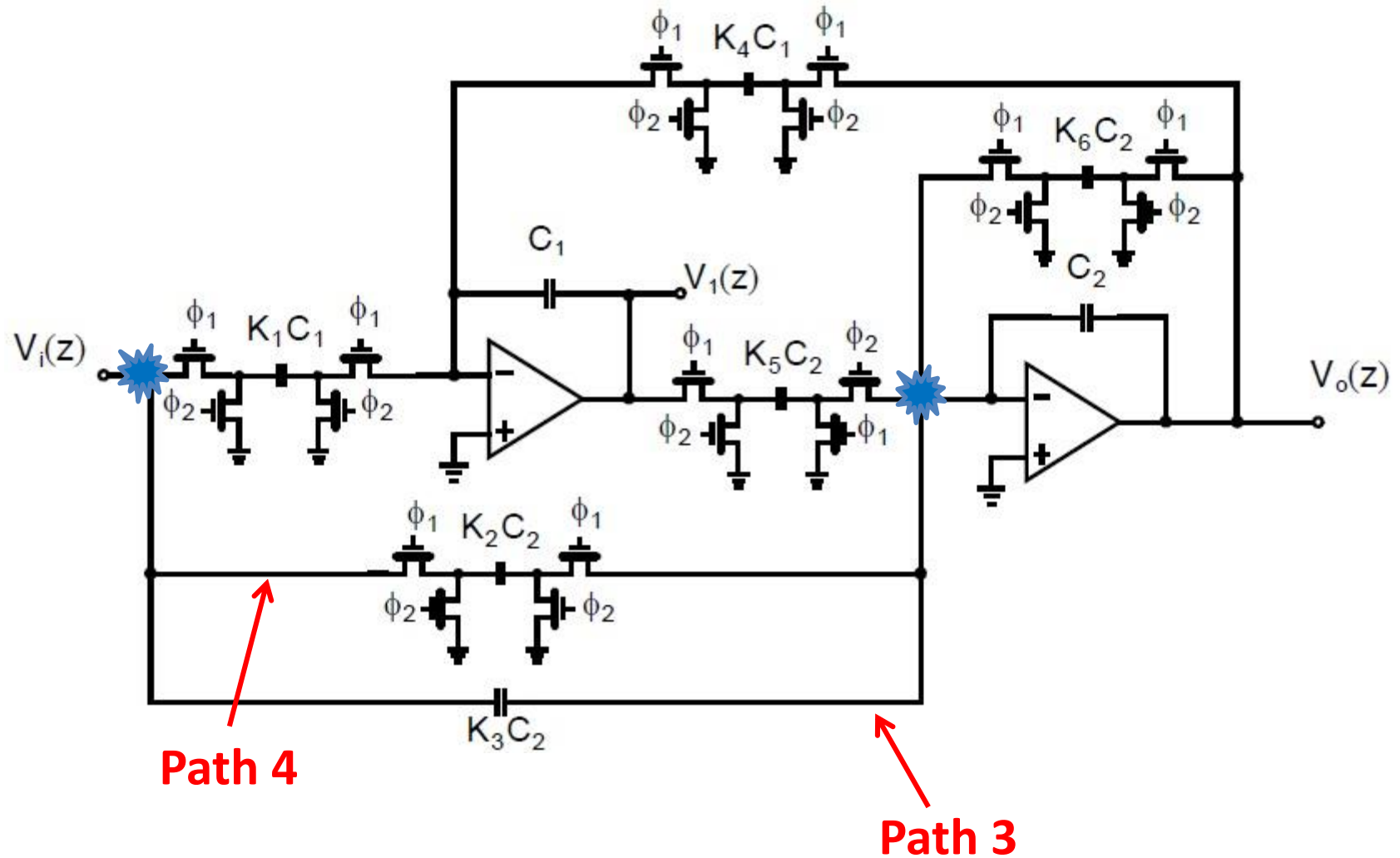
# Path 2, is a feedback path



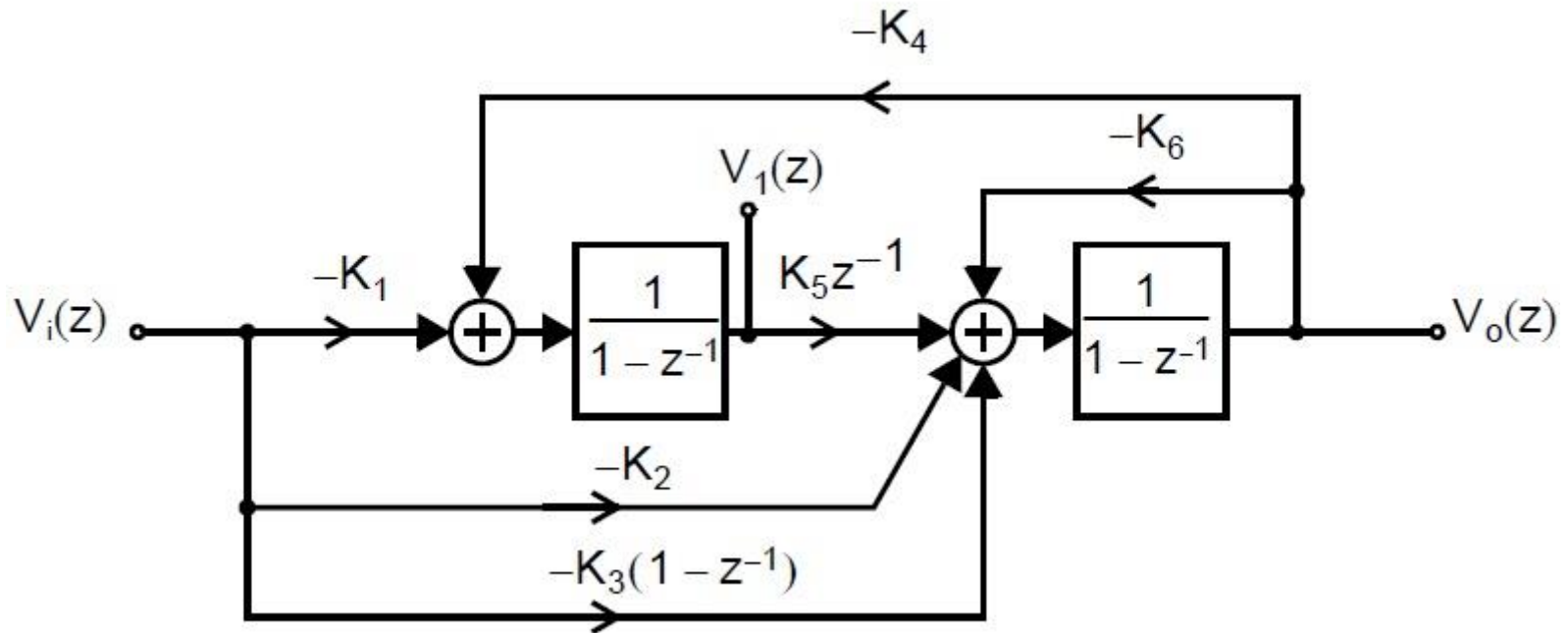
# Path 1, is a feedback path



# Paths 3 & 4 aren't feedback path



# Signal flow graph



Correct directions without coin flipping 😊